

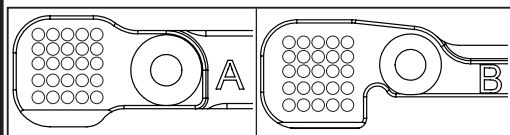
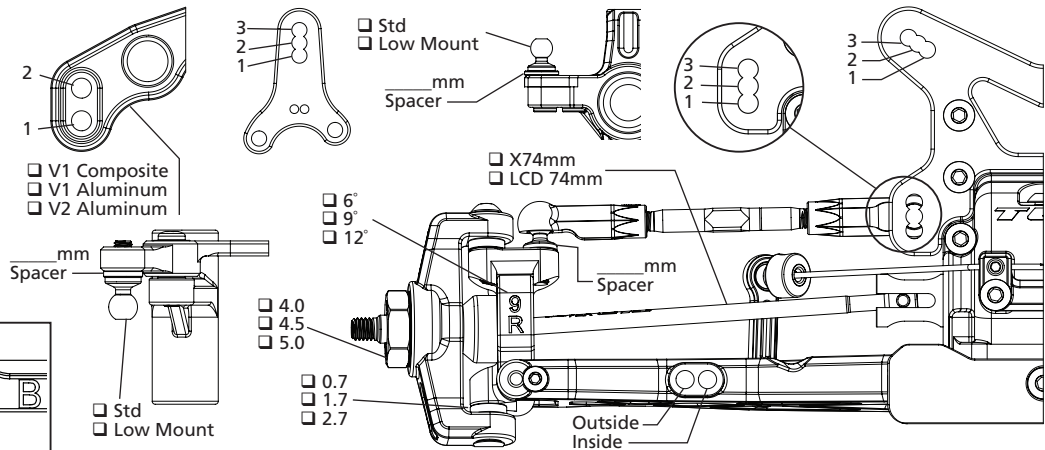
Name: \_\_\_\_\_ Date: \_\_\_\_\_ Event: \_\_\_\_\_ Track: \_\_\_\_\_

**Track Conditions**

Indoor    Clay    Carpet    Tight    Smooth    Hard Packed    Blue Groove    Wet   Bite:  Low  Med  High   Other: \_\_\_\_\_  
 Outdoor    Dirt    Astro    Open    Rough    Loose/Loamy    Dry    Dusty   Tread:  Pin  Ghost  Slicks

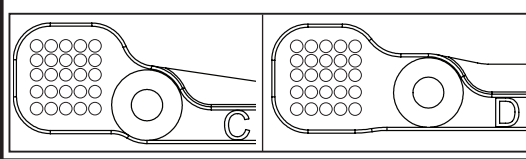
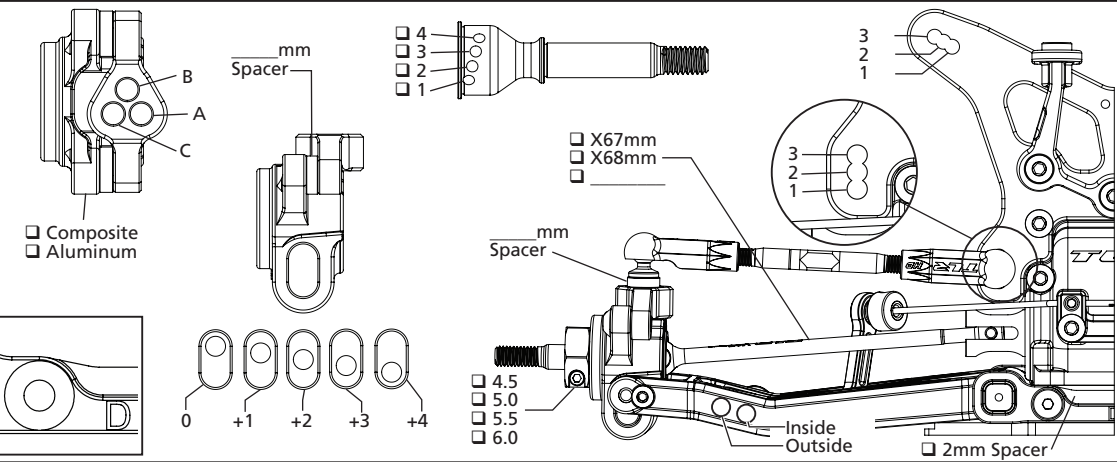
**Front Suspension**

|             |          |
|-------------|----------|
| Ride Height | _____ mm |
| Camber      | _____ °  |
| Toe         | _____ °  |
| Sway Bar    | _____ mm |
| Notes:      | _____    |



**Rear Suspension**

|             |          |
|-------------|----------|
| Ride Height | _____ mm |
| Camber      | _____ °  |
| Sway Bar    | _____ mm |
| Notes:      | _____    |



**Chassis**

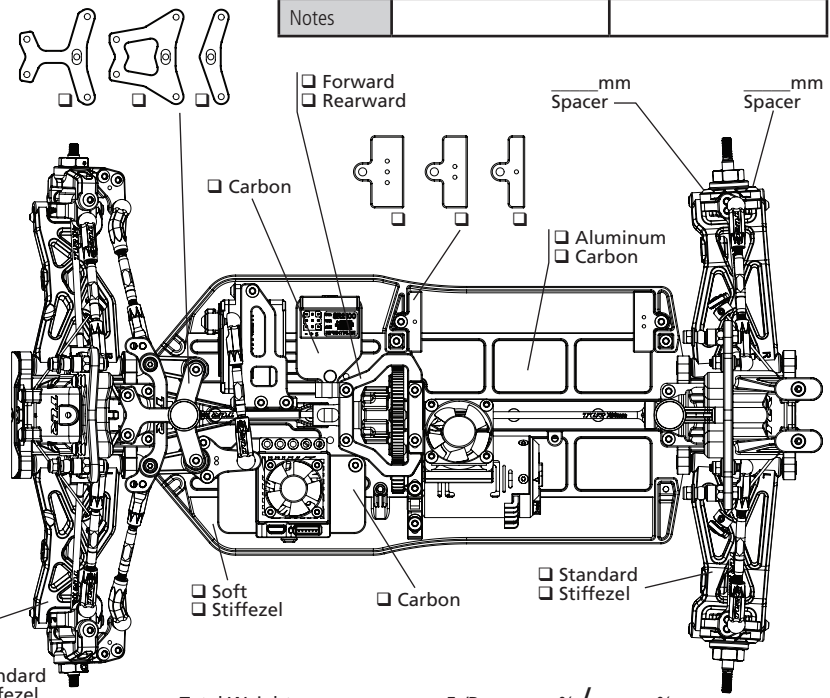
| Differentials     | Front                                                      | Center                                                                       | Rear                                                       |
|-------------------|------------------------------------------------------------|------------------------------------------------------------------------------|------------------------------------------------------------|
| Fluid             |                                                            |                                                                              |                                                            |
| Int Gears         | <input type="checkbox"/> Stl <input type="checkbox"/> Comp | <input type="checkbox"/> Stl <input type="checkbox"/> Comp                   | <input type="checkbox"/> Stl <input type="checkbox"/> Comp |
| Weight            | _____ g                                                    | _____ g                                                                      | _____ g                                                    |
| Ring/Pin          | <input type="checkbox"/> Stl <input type="checkbox"/> Comp | <input type="checkbox"/> Stl <input type="checkbox"/> Comp                   | <input type="checkbox"/> Stl <input type="checkbox"/> Comp |
| Center Diff Cover |                                                            | <input type="checkbox"/> Composite <input type="checkbox"/> Aluminum         |                                                            |
| Slipper Pads      |                                                            | <input type="checkbox"/> Torque/Yellow <input type="checkbox"/> Drive/Orange |                                                            |

| Aerodynamics |  |
|--------------|--|
| Body         |  |
| Fr Scoop     |  |
| Rr Wing      |  |
| Wicker       |  |
| Angle        |  |
| Notes        |  |

| Tires    | Front | Rear |
|----------|-------|------|
| Brand    |       |      |
| Tread    |       |      |
| Compound |       |      |
| Insert   |       |      |
| Sauce    |       |      |
| Wheel    |       |      |
| Notes    |       |      |

**Shocks**

|              | Front                                                                                   | Rear                                                                                    |
|--------------|-----------------------------------------------------------------------------------------|-----------------------------------------------------------------------------------------|
| Shock Caps   |                                                                                         |                                                                                         |
| Oil          |                                                                                         |                                                                                         |
| Piston       | <input type="checkbox"/> Thin                                                           | <input type="checkbox"/> Thin                                                           |
| Limiter, Int | _____ mm                                                                                | _____ mm                                                                                |
| Shaft Dia    | <input type="checkbox"/> 3.0mm <input type="checkbox"/> 3.5mm                           | <input type="checkbox"/> 3.0mm <input type="checkbox"/> 3.5mm                           |
| Limiter, Ext | _____ mm                                                                                | _____ mm                                                                                |
| Stroke       | _____ mm                                                                                | _____ mm                                                                                |
| Eyelet       | <input type="checkbox"/> Std <input type="checkbox"/> +2mm                              | <input type="checkbox"/> Std <input type="checkbox"/> +2mm                              |
| Spring       |                                                                                         |                                                                                         |
| Spring Cup   | <input type="checkbox"/> Low <input type="checkbox"/> Mid <input type="checkbox"/> High | <input type="checkbox"/> Low <input type="checkbox"/> Mid <input type="checkbox"/> High |



| Electronics |         |               |
|-------------|---------|---------------|
| Radio       |         | ESC           |
| Servo       |         | Thro Prof     |
| Battery     |         | Timing Adv    |
| Battery Wt  | _____ g | Initial Brake |
| Motor       |         | Drag Brake    |
| Gearing     | /       | Thr/Bra EPA / |

Total Weight: \_\_\_\_\_ g Fr/Rr \_\_\_\_\_ % / \_\_\_\_\_ %